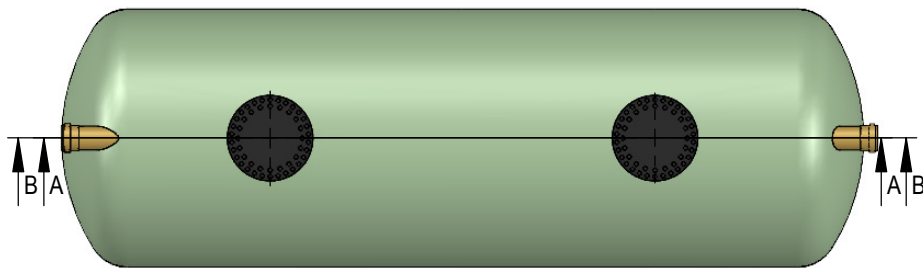
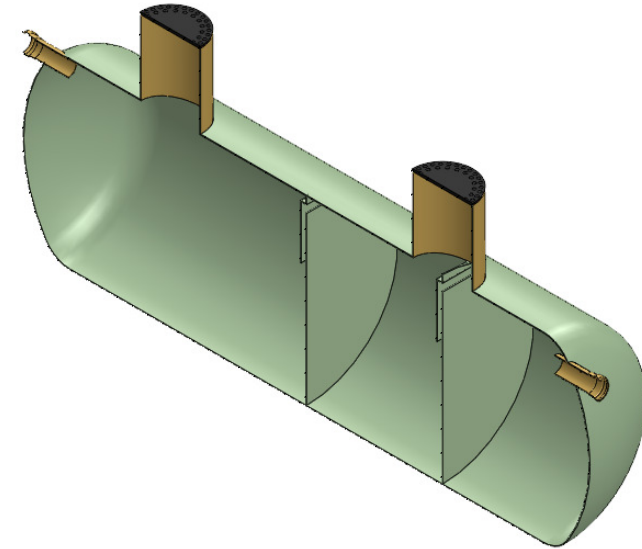
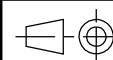


B - B



h = tank distance from ground (default 500):

Item no.	Part	Description	Std. qty.	Need
1	Tank housing	fiberglass, ϕ 1200 x 3750	1	
2	Drain sewer	ϕ 400	2	
3	Inlet sewer	DN110	1	
4	Outlet sewer	DN110	1	
5	Separation wall	fiberglass	2	
6	Top cover	plastic	2	
		cast iron		



Weight

Date

30.03.2021

Drawn by

E. Väljaots

Drawing no.

KPS.04.01



Klaasplast OÜ
 reg.kood: 11862070
 tel: +372 5691 1914
 info@mahuti.ee
 www.mahuti.ee

Title

4 m³ septic tank

Sheet
1/1

Scale
1:25

Article no.

S4