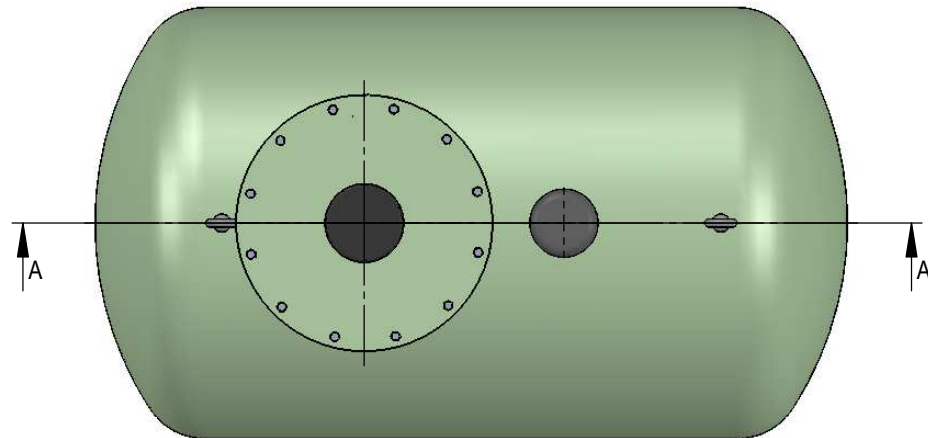
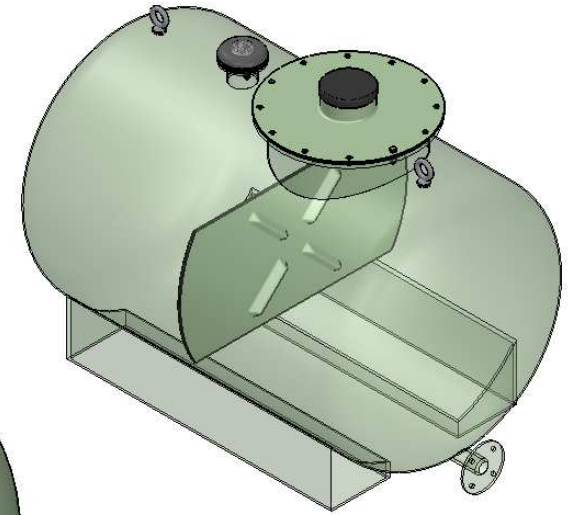
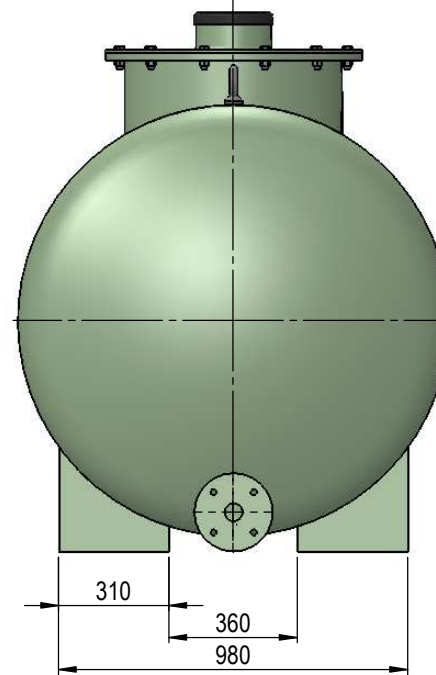
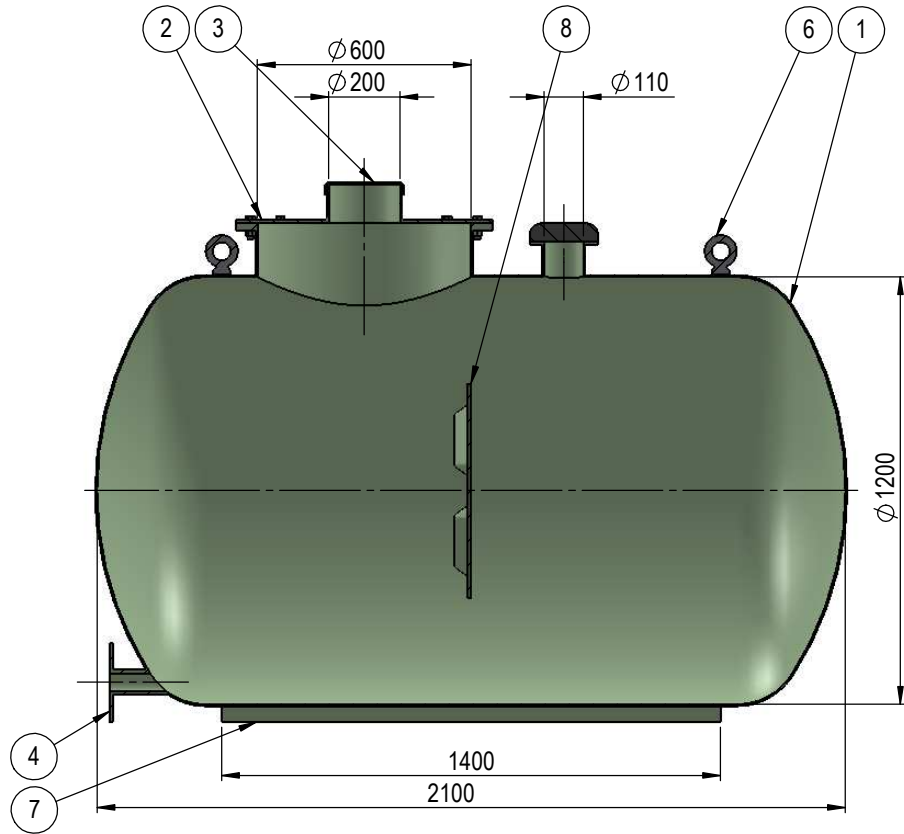
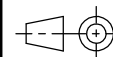


A - A



| Item no. | Part name | Material | Std. qty. | Need |
|----------|--------------------|---------------------------------------|-----------|------|
| 1 | Tank housing | fiberglass, \varnothing 1200 x 2100 | 1 | |
| 2 | Maintenance shaft | \varnothing 600 | 1 | |
| 3 | Filler | \varnothing 200 | 1 | |
| 4 | Outlet pipe | fiberglass, 2-4" flange | 1 | |
| 5 | Ventilation outlet | \varnothing 110 | 1 | |
| 6 | Lifting hook | AISI 304 | 2 | |
| 7 | Supporting foot | fiberglass | 2 | |
| 8 | Separation wall | fiberglass | 2 | |



Weight

Date

26.03.2021

Drawn by E. Väljaots

Drawing no. KVM.02.01



Klaasplast OÜ
 reg.kood: 11862070
 tel: +372 5691 1914
 info@mahuti.ee
 www.mahuti.ee

Title

2 m³ water tank

Sheet
1/1

Scale
1 : 15

Article no.

VM2