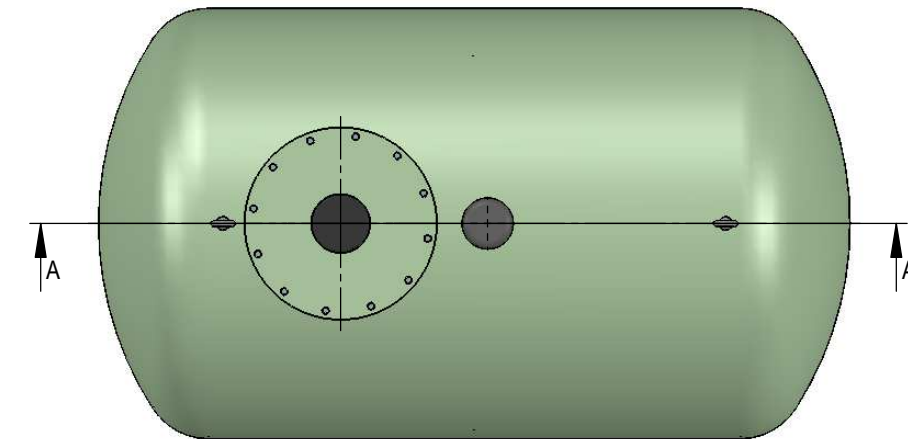
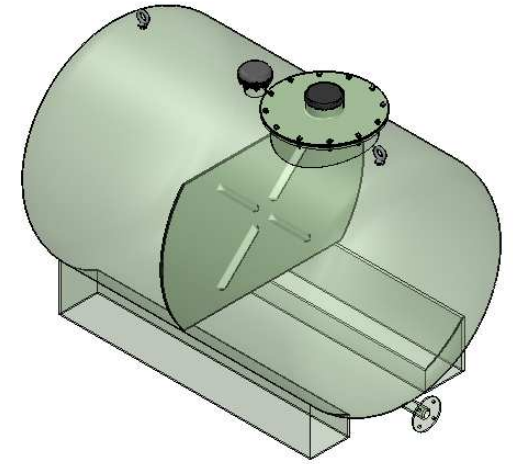
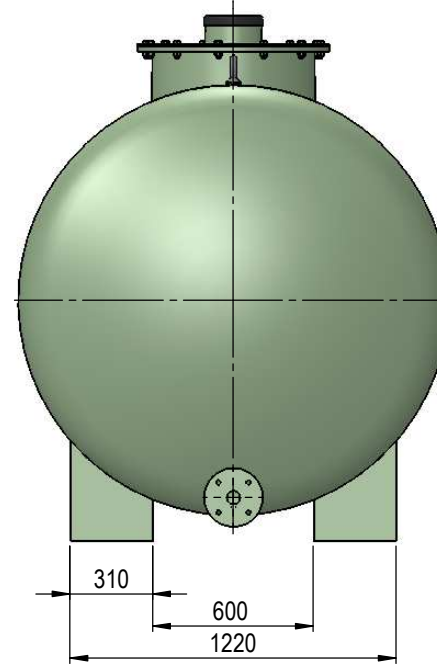
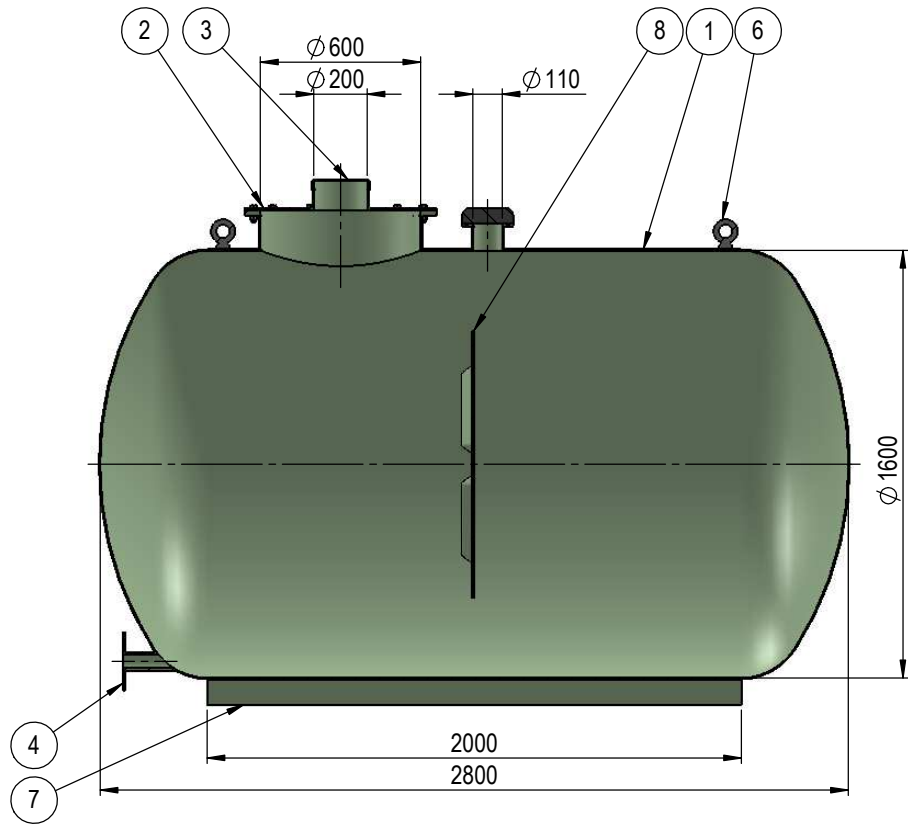


A-A



Item no.	Part name	Material	Std. qty.	Need
1	Tank housing	fiberglass, \varnothing 1600 x 2800	1	
2	Maintenance shaft	\varnothing 600	1	
3	Filler	\varnothing 200	1	
4	Outlet pipe	fiberglass, 2-4" flange	1	
5	Ventilation outlet	\varnothing 110	1	
6	Lifting hook	AISI 304	2	
7	Supporting foot	fiberglass	2	
8	Separation wall	fiberglass	2	

	Weight	Date	Drawn by	E. Väljaots
		26.03.2021	Drawing no.	KVM.05.02

	Klaasplast OÜ reg.kood: 11862070 tel: +372 5691 1914 info@mahuti.ee www.mahuti.ee	Title		5 m ³ water tank
		Sheet	Scale	Article no.
		1/1	1 : 20	